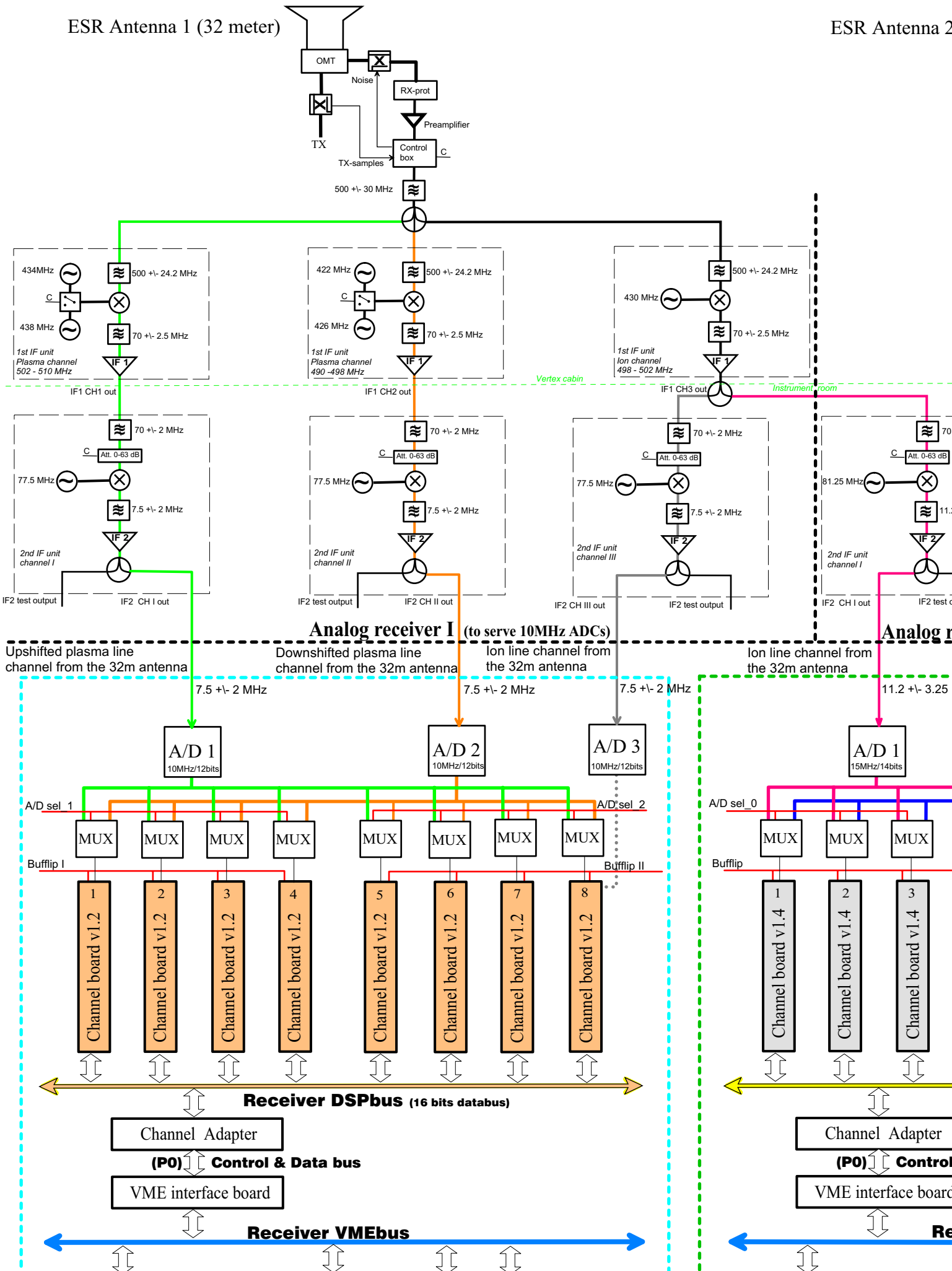
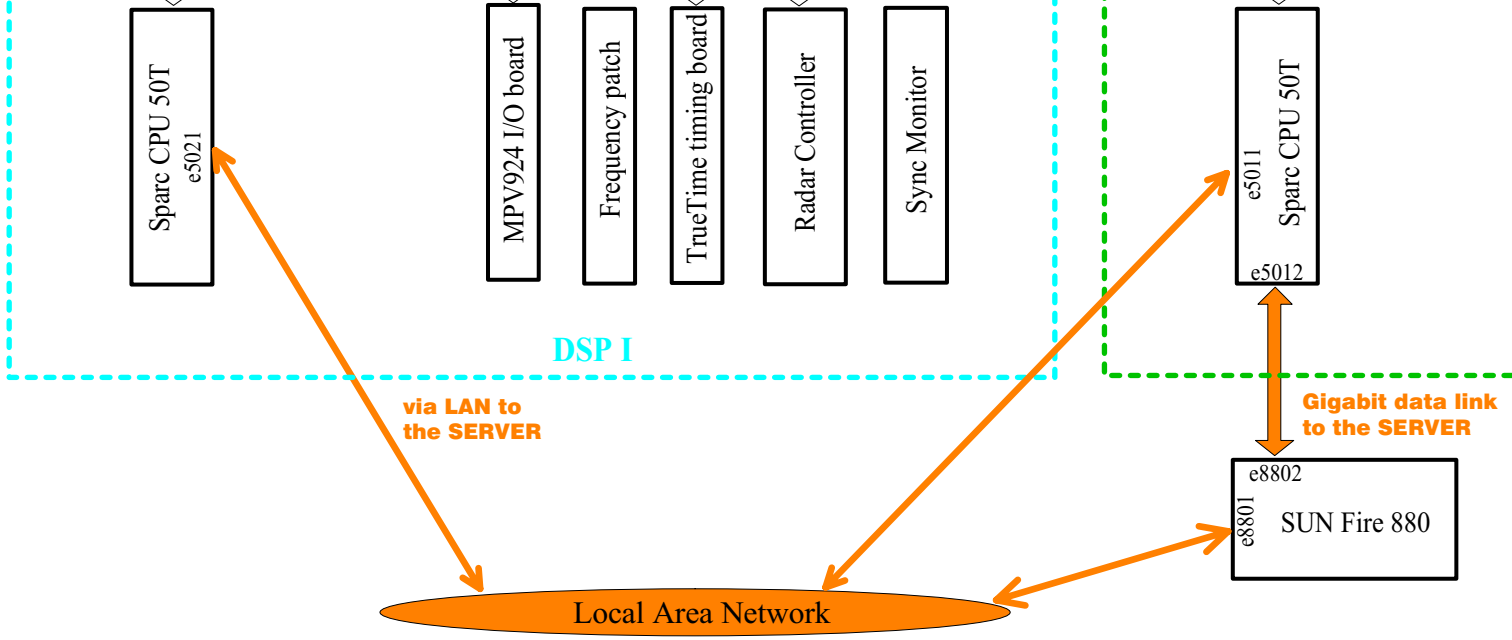
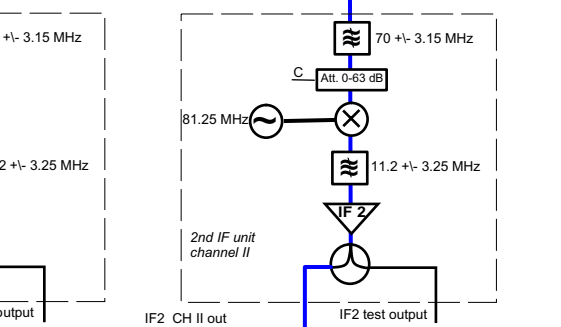
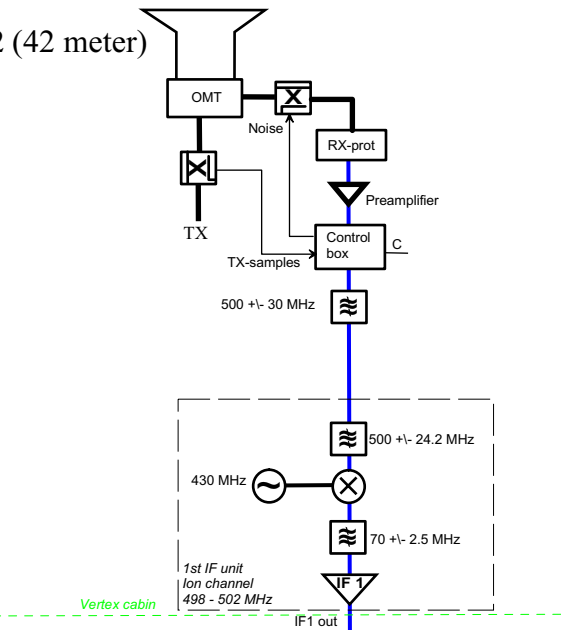


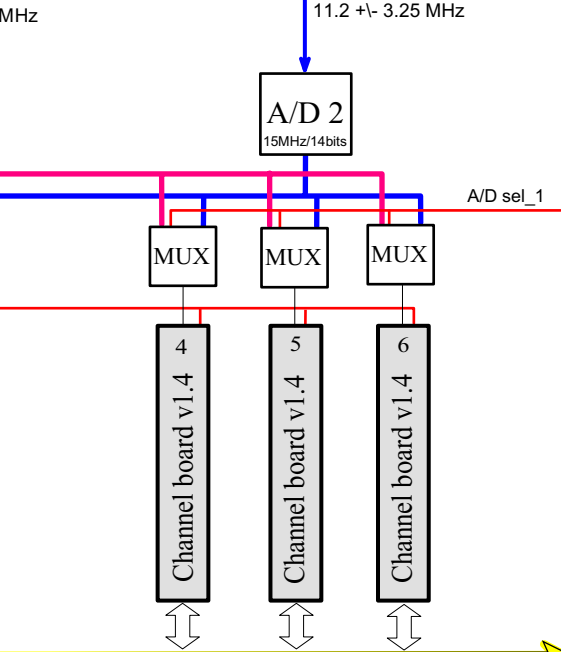
# ESR RECEIVERS (simplified block diagram)







**Receiver II (to serve 15MHz ADCs)**  
 Ion line channel from  
 the 42m antenna



**& Data bus**

**Receiver VMEbus**

MPV924 I/O board

Frequency patch

TrueTime timing board

Radar Controller

Sync Monitor

DSP II